

ELECTRICAL FEATURES

- Operating voltage: 6 to 16 VDC (30VDC max 10sec.)
- Digital controlled system
- High efficiency LED's
- Reverse polarity protected.
- To switch on: pin voltage < 2V.
- OK lighted on when are switched off.
- EMC compliance: DC2000/2/CE (Radiated)
ISO 7637-1, -3 (Conducted)
- ESD compliance: ISO / TR 60105
- All outputs protected against short-circuit, over-heat and over current.

MECHANICAL FEATURES

- Housing: Black CP plastic. Fire proof and self-extinguishing.
- Scaled dial: Transparent PC. Black symbols and grey background inner stamped
- Bezel: Polished black POM plastic.
- Resin packaged
- Hour-meter
- Ignition key
- Aluminium radiator

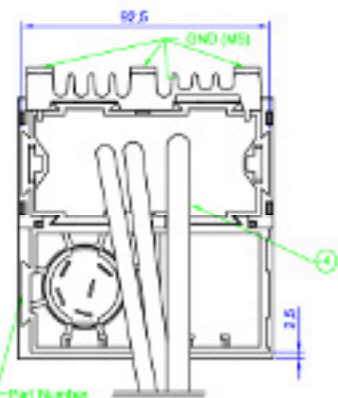
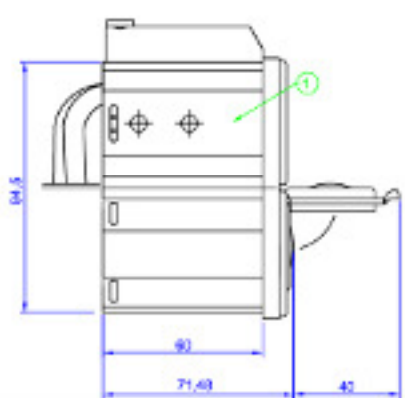
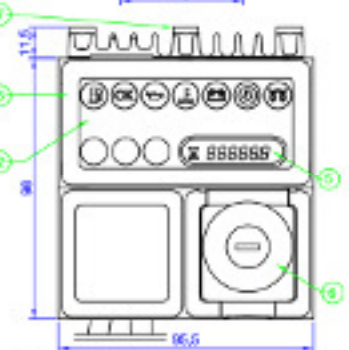
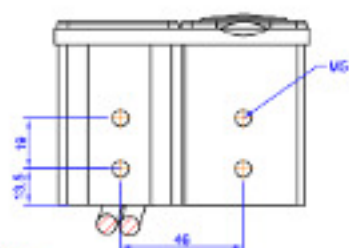
- Weight: 700 gr
- Vibration and mechanical shock resistant.

ENVIRONMENTAL FEATURES

- Working temperature: -20 to +80 °C
- Storage temperature: -30 to +90 °C
- Sealing: Connectors : IP67
Dial : IP67

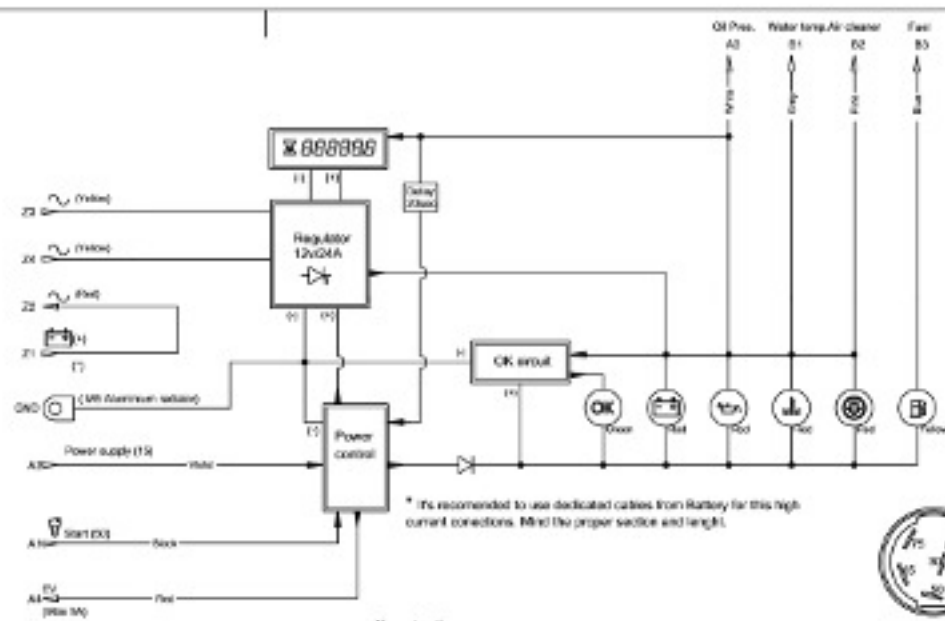
GENERAL FEATURES

- High modularity boxes (see adapter PN 1921)
- Panel board mountable (see clamps PN 1911, 1912, 1913 and 1915)
- Sealed key/fuse connector (see PN 1810)



Part Number: D715
Date: YYYWW

Scale: 1:2



* It's recommended to use dedicated cables from battery for this high current connections. Mind the proper section and length.

COND.	0 (OFF)	1 (ON)	1 (100%)	1 max.	Drop-out voltage
26-18				26 A	<130 mV
26-58				2000A (max. 1 sec)	<130 mV



POWER CONTROL

- It's switched on: when turned on ignition key or when start.
- It's switched off (power consumption < 50µA) 20 sec. after is lit on or in case of system overload (7A typ).

HOURL - METER

- 5mm digits LCD display real hours counter.
- It counts if is switched off.
- Range: 0 - 99999.9 hours.
- Resolution: 0,1 hours.
- Accuracy: ± 0,1% (25°C)
- >40 years stored data retention.

REGULATOR

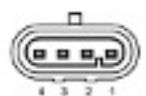
- OPS wiring
- Voltage regulator 14,2v ±0,4
- Max. temperature at T: 75°C (measured on rivet)



Ignition Key
Pin50: Batt.
Pin15: Acc.
Pin50: Start



Tab housing
SAPRISA
1820 series 4 pins socket



A - Female connector
AMP Superseal 1.5 series 4 ways
PN:282106-1
Tab: PN:282109-1 (AMP)



B - Male connector
AMP Superseal 1.5 series 3 ways
PN:282107-1
Tab: PN:282110-1 (AMP)

5	04-00-17	De altitudi este produs este o copie a produsului original	
7	04-00-18	Completat cu date de identificare	
8	04-00-19	Atitudine de respectare	Design: 0001
5WL+Reg+Hm+Pwr Ctrl		D715	
Date:	10/05/08	drawing:	ignassi
COPIA NU CONTINE		LADA	
		AETSA www.aetisa.com saprisa@aetisa.com +34 933 072 400	